

TW5384

TW5384 Smart GNSS Antenna for High Accuracy Positioning

Overview

The TW5384 is a multi-band (L1/L2), multi-constellation integrated GNSS receiver/antenna with RTK for Precise Point Positioning. The TW5384 is capable of providing sub 1 meter accuracy stand alone and sub 10 cm accuracy with RTK corrections to support the most demanding positioning applications.

Interference Resilience

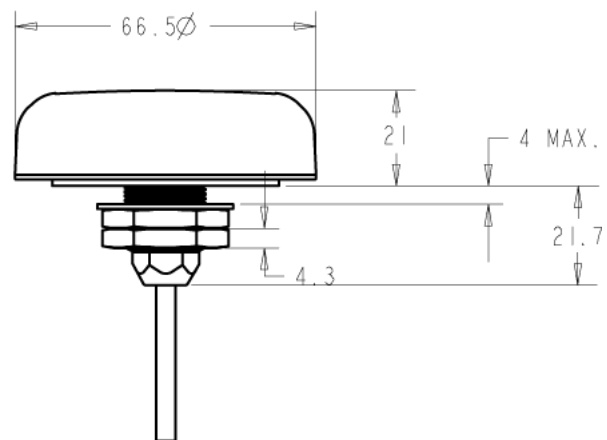
The TW5384 incorporates a latest generation multi-band (L1/L2) GNSS receiver with a Tallysman Accutenna™ multi-band (L1/L2) dual feed patch. The state of the art GNSS receiver supports concurrent tracking of all four major constellations (GPS, BeiDou, Galileo and GLONASS) in multiple frequency bands. The multi-band (L1/L2) architecture is the most effective method for the removal of ionospheric error. The TW5384 employs multi-stage filtering with low noise figure LNAs, combined with the dual feed Accutenna™, which greatly improves the rejection of multi-path signal interference, to offer exceptional performance to meet the most stringent precise positioning applications.

Precise Point Positioning

The TW5384 is designed to meet the most demanding of positioning applications. The receiver offers support for a broad range of corrections services (RTK base/rover or network) allowing performance optimization according to each application's unique requirements. The concurrent multi-band (L1/L2) access to all four satellite constellations improves the receiver's convergence capability to deliver a quick, precise and reliable position solution which is unaffected by ionospheric errors, and improved resilience to jamming.

The TW5384 accepts RTCM RTK messages from a base station, Virtual Reference Station or SPARTN SSR message type via the Point Perfect subscription service. TW5384 may also be configured as a RTK base station or moving base.

The TW5384 provides sub 10 cm positioning accuracy in conjunction with RTK applied corrections.



Mechanical Dimensions (mm)

Features

- Improved noise immunity with multi-band GNSS receiver
- Improved multi-path rejection with Dual feed Accutenna™
- Multi-band GNSS receiver is unaffected by ionospheric errors
- High reliability timing with expansive constellation array
- Exceptional position performance without correction services
- Broad 5V-36V operation
- RS-485 differential signalling
- Industrial grade IP69K enclosure
- Rugged fixed mount
- Multiple cable lengths (5m, 15m and 25m)
- Available with conical radome

TW5384 Smart GNSS Antenna

Specifications

Antenna		Environmental	
Architecture	Multi-band (L1/L2), Dual Feed	Operating Temperature	-40°C to +85°C
Axial Ratio	L1: < 1 dB typical	Storage Temperature	-40°C to +85°C
Frequencies	GPS L1C/A L2C, GLO L10F L20F, GAL E1B/C E5b, BDS B1I B2I, QZSS L1C/A L2C	Weatherproof	IP69K
SBAS L1 C/A	WAAS, EGNOS, MSAS, GAGAN	Shock	Vertical axis 50G, other axis 30G 3 axis sweep – 15 min
Channels	184-channel u-blox F9 engine	Vibration	10-200 Hz log sweep 3G
Anti-jamming	Active CW detection		
Interface		Sensitivity	
Pwr, Gnd		Tracking & Nav	-167 dBm
Tx, RX, Timepulse	RS-485 levels	Reacquisition	-160 dBm
		Hot starts	-157 dBm
		Cold starts	-148 dBm
Serial Protocol		Acquisition	
Output	NMEA 0183, UBX Binary, RTCM v3.3, SPARTN v2.0	Cold start	.25 sec
Baud Rate	Configurable	Aided start	.2 sec
Update Rate	Configurable up to 10Hz*	Reacquisition	.2 sec
Mechanical		Position Accuracy	
Dimensions	.66.5 mm dia. x 21 mm H	Horizontal PVT	1.5m CEP
Weight	.135 g	Horizontal SBAS	1.0m CEP
Mounting Method	Industrial grade fixed Mount	Horizontal RTK	0.01 + 1ppm R50*
Cable Length	5, 15 and 25m with RJ termination	Horizontal PPP-RTK (SPARTN)	<0.06m CEP
		Typical Convergence	<45 sec*
Electrical		Timing	
Voltages	.5 V to 36 VDC	Timing Accuracy	.30 ns RMS
Current	.0.5 Watts (nominal operating) Measured @ 5VDC supply		

Ordering Information:

33-5384-7-yy-zz-PC0 (PCO = NMEA out, no adaptor cable.)

yy = Radome (00=grey conical, 10=grey low profile, 01=white conical, 11=white low profile)
zz = Cable length in meters. Standard is 5m. (15m and 25m are special order only)

TW5384 SDK Test Adaptor required for programming 33-0095-1

Please refer to the Ordering Guide for the current and complete list of available product options.



The **connection** of things.®

Tallymatics manufactures high performance GNSS smart antennas, telematics products and solutions for a wide range of applications. With support for both RF wireless and data networks, Tallymatics enables high-resolution location awareness of mobile field assets across any type of wireless network. Tallymatics is a division of Tallysman.

© 2019 Tallymatics Inc. All rights reserved. Tallymatics, "The connection of things" tag line and the Tallymatics logo are trademarks or registered trademarks of Tallymatics Inc. and/or its affiliates in Canada and certain other countries. All other trademarks mentioned in this document are the property of their respective owners. The information presented is subject to change without notice. Tallysman assumes no responsibility for any errors or omissions in this document. Tallymatics is a division of Tallysman Inc. Tallymatics hereby disclaims any or all warranties and liabilities of any kind.

Contact us:
info@tallymatics.com
T: +1 613 591-3131

Tallymatics Inc.
36 Steacie Drive,
Ottawa ON
K2K 2A9 Canada

www.tallymatics.com