

TW5362



The **connection** of things.

TW5362 Smart GNSS Antenna with UDR

Overview

The TW5362 is a multi-constellation GNSS Receiver/Antenna fused with inertial sensor data. It is an easy-to-use tracking solution that enables high performance positioning in places where GNSS signals are poor or not available.

The TW5362 incorporates a latest generation GNSS receiver that supports simultaneous GPS/GLONASS/Galileo reception and a Tallysman's Accutenna™ patch antenna. This dual feed antenna greatly improves rejection of multi-path signal interference, making it the most precise antenna for tracking in dense urban environments.

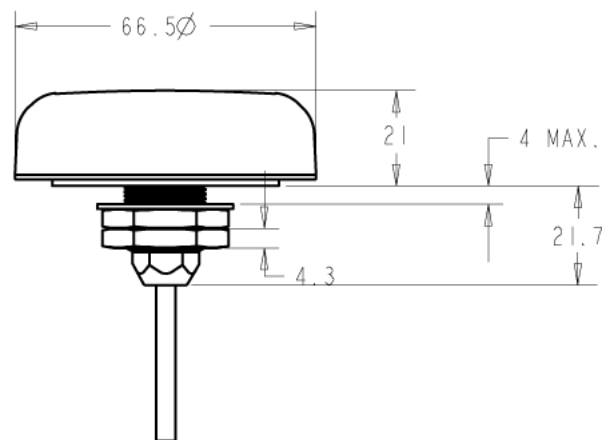
Untethered Dead Reckoning (UDR)

The TW5362 Untethered Dead Reckoning (UDR) technology provides continuous navigation without requiring speed information from the vehicle. This innovative technology brings the benefits of dead reckoning to installations previously restricted to using GNSS alone, significantly reducing the cost of installation for Dead Reckoning applications.

The strength of UDR is particularly apparent under poor signal conditions, where it brings continuous positioning in urban environments, even when the antenna is installed within the vehicle. Useful positioning performance is also available during complete signal loss, for example in parking garages or short tunnels. UDR positioning starts as soon as the ignition signal is applied and before the first GNSS fix is available.

The TW5362 may be installed in any position in a vehicle without electrical connection to the vehicle speed sensor. The on-board accelerometer and gyroscope sensors result in a self-contained UDR which is self-calibrating and provides reliable and consistent navigation

A Timepulse output generates pulse trains synchronized with GPS or UTC time grid with intervals configurable over a wide frequency range.



Mechanical Dimensions (mm)

Features

- Complete positioning solution with integrated 3D sensors
- Positioning accuracy in dense cities and covered areas
- Independent of any sensor connection to the car
- 5V-36V automotive operation
- Excellent multi-path signal rejection
- Industrial grade IP67 enclosure
- RoHS, REACH, RED compliant. CE marking

TW5362 Smart GNSS Antenna

Specifications

Antenna

ArchitectureDual Feed
Axial Ratio< 1 dB typical.
Frequencies.....GPS/QZSS L1 C/A, GLONASS L10F
BeiDou B1I, Galileo E1B/C
SBAS L1 C/A.....WAAS, EGNOS, MSAS, GAGAN
Channels.....72-channel u-blox M8 engine

Interface

Pwr, Gnd Ignition In
Ignition Out (50% of ignition IN voltage level)
Tx, RXRS232 levels
TimepulseRS232 level
N/C

Mechanical

Dimensions66.5 mm dia. x 21 mm H
Weight135 g
Mounting MethodFixed Mount
Cable Length.....5 m with RJ12 termination
EnclosureIndustrial grade fixed mount
weatherproof IP67

Electrical

Voltages5 V to 36 VDC
Current50 mA during acquisition
40 mA operating

Environmental

Operating Temperature.....-40°C to +85°C
Storage Temperature.....-45°C to +85°C
WeatherproofIP67
Shock.....Vertical axis 50G, other axis 30G
3 axis sweep – 15 min
Vibration.....10-200 Hz log sweep 3G

Sensitivity

Tracking & Nav-160 dBm 1
Cold starts-148 dBm
Hot starts-157 dBm

Acquisition

Cold start26 sec
Aided 3 sec
Reacquisition<1 sec

Position

Position Accuracy.....2.5m CEP
UDR Position Error.....Typically <10% of distance covered
without GNSS (up to 60 s)

Serial Protocol

Output.....NMEA 0183
Baud Rate.....Configurable
Update Rate.....Configurable up to 30Hz

Ordering Information:

33-5362-7-10-05-PCO

PCO = NMEA out, no adaptor cable.

TW5362 Configuration Adaptor

27-0124-1

Please refer to the Ordering Guide for the current and complete list of available products.



TALLYMATICS®

The **connection** of things.

Tallymatics manufactures high performance, telematics products and solutions for a wide range of applications. With support for both RF wireless and data networks, Tallymatics enables high-resolution location awareness of mobile field assets across any type of wireless network. Tallymatics is a division of Tallysman.

© 2019 Tallymatics Inc. All rights reserved. Tallymatics, "The connection of things" tag line and the Tallymatics logo are trademarks or registered trademarks of Tallymatics Inc. and/or its affiliates in Canada and certain other countries. All other trademarks mentioned in this document are the property of their respective owners. The information presented is subject to change without notice. Tallysman assumes no responsibility for any errors or omissions in this document. Tallymatics is a division of Tallysman Inc. Tallymatics hereby disclaims any or all warranties and liabilities of any kind.

Contact us:
info@tallymatics.com
T: +1 613 591-3131

Tallymatics Inc.
36 Steacie Drive,
Ottawa ON
K2K 2A9 Canada

www.tallymatics.com