

# TW5344



The **connection** of things.®

## TW5344 Smart GNSS Antenna

### Overview

The Tallysman Sprite™ TW5344 is an integrated Telematics/ GPS Receiver Antenna that can be configured to provide GPS “Event” based reports such as distance travelled, speed alarms, position updates on PTT etc. making this platform uniquely positioned to meet all fleet tracking needs. It can also be configured to provide basic NMEA output.

Digital 2-Way radio systems supported are DMR, P25, MPT1327 and NEXEDGE.

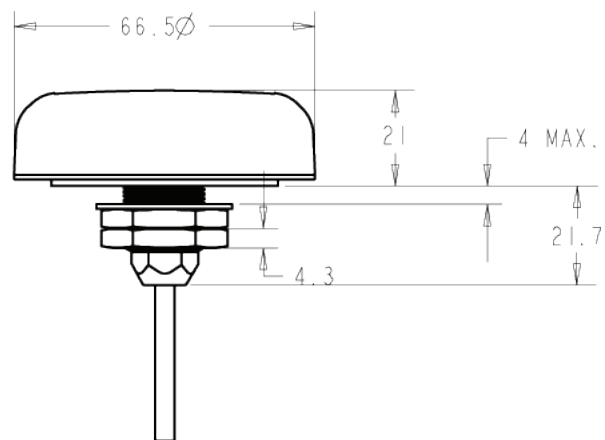
For Tait Radio systems the TW5344 ships with a radio (27-0028-0) cable that provides connection between the TW5344 and the Auxiliary port on the back of the radio.

The TW5344 provides extensive logging capabilities providing storage of location reports for up to 30 days at report rates of once per minute. The integrated data compression algorithm can combine up to 125 location reports and events into a single short data transmission enabling sub 10 second tracking reports to be batched and sent every 15 Minutes!. This level of tracking provides location accuracies down to the block level and enables 2-Way Radio Dealers with limited bandwidth to offer reporting rates that compete with cellular update rates.

The TW5344 provides 32 channel simultaneous reception of GPS/GLONASS systems and employs Tallysman’s Accutenna™ dual feed antenna patch technology which greatly improves positioning accuracy in dense urban environments due to multipath signal interference. The TW5344 is housed in a weatherproof IP69K enclosure and has a ¾” thru-hole mount.

### Radio Connection

The TW5344 comes with a 5 meter cable terminated in a 8P8C (RJ-45) connector. Interfacing to radios is as simple as connecting a radio adaptor cable.



Mechanical Dimensions (mm)

### Features

- Integrated Telematics/ GPS Receiver Antenna
- Simultaneous GPS/GLONASS reception
- Event Driven Telematics reports
- High rate logging
- Time-OFF-Timer
- Overvoltage protection
- Push to talk ID (PTT ID)
- Odometer and waypoint reporting
- Information maintained across power cycles
- Over Air parameter updates
- Configurable NMEA output
- RoHS, REACH, RED Compliant & CE marking

# TW5344 Smart GNSS Antenna

## Specifications

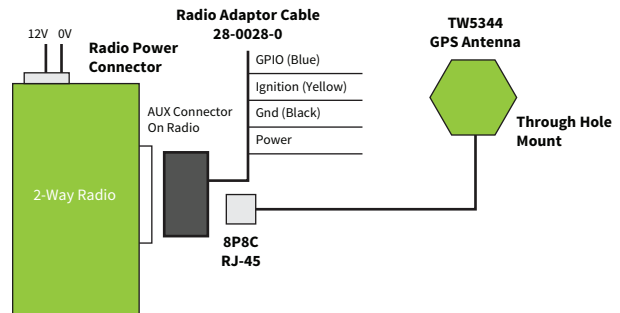
Antenna	
Frequencies	GPS/GLONASS
Interface	
RS232	DMR, P25, MAP27, NEXEDGE protocols NEMA output Baud rate: 300 to 921600. Default 4800
Radio Ignition	Output to control radio ON/OFF
1* General Purpose I/O	Configurable as Input or output Output: pulled to Gnd to activate Input: pull to Gnd to activate

Mechanical	
Cable Length	.5 meters (16 feet)
Cable Termination	RJ-45 8P8C Pwr/Gnd/TX/RX

Electrical	
Voltages	.9 to 16 VDC
Current	.120 mA typical.

Environmental	
Operating Temperature	-40°C to +85°C
Storage Temperature	-45°C to +85°C
Weatherproof	IP69K
Shock	Vertical axis 50G, other axis 30G 3 axis sweep – 15 min
Vibration	.10-200 Hz log sweep 3G

Sensitivity	
Acquisition	-146 dBm
Tracking	-159 dBm
Time to First Fix	
Cold start	.39 sec
Hot start	.2 .5 sec
Reacquisition	<1 sec
Position Accuracy	
Accuracy	.2.8 m 95% CEP



## Ordering Information:

32-5344-6-yy-05-ccc

ccc= Custom Configuration (Contact Tallysman for "Custom" details e.g. firmware, configuration and radio cable type.

yy= Radome (10=Grey low profile, 11=White low profile)

e.g. TC1= Tait Trunking, TC2= Tait Conventional, inc 27-0028-0 radio cable

### TW53XX Configuration Cable

27-0025-1

Please refer to the Ordering Guide for the current and complete list of available products.



**TALLYMATICS®**

The **connection** of things.®

Tallymatics manufactures high performance, telematics products and solutions for a wide range of applications. With support for both RF wireless and data networks, Tallymatics enables high-resolution location awareness of mobile field assets across any type of wireless network. Tallymatics is a division of Tallysman.

© 2019 Tallymatics Inc. All rights reserved. Tallymatics, "The connection of things" tag line and the Tallymatics logo are trademarks or registered trademarks of Tallymatics Inc. and/or its affiliates in Canada and certain other countries. All other trademarks mentioned in this document are the property of their respective owners. The information presented is subject to change without notice. Tallysman assumes no responsibility for any errors or omissions in this document. Tallymatics is a division of Tallysman Inc. Tallymatics hereby disclaims any or all warranties and liabilities of any kind.

**Contact us:**  
[info@tallymatics.com](mailto:info@tallymatics.com)  
**T: +1 613 591-3131**

Tallymatics Inc.  
 36 Steacie Drive,  
 Ottawa ON  
 K2K 2A9 Canada

[www.tallymatics.com](http://www.tallymatics.com)